

33. Keyless Access CM

A: REMOVAL

CAUTION:

Before handling the airbag module, refer to “CAUTION” of “General Description” in “AIRBAG SYSTEM”. <Ref. to AB-9, CAUTION, General Description.>

1) Disconnect the ground cable from battery and wait for at least 60 seconds before starting work. <Ref. to NT-5, BATTERY, NOTE, Note.>

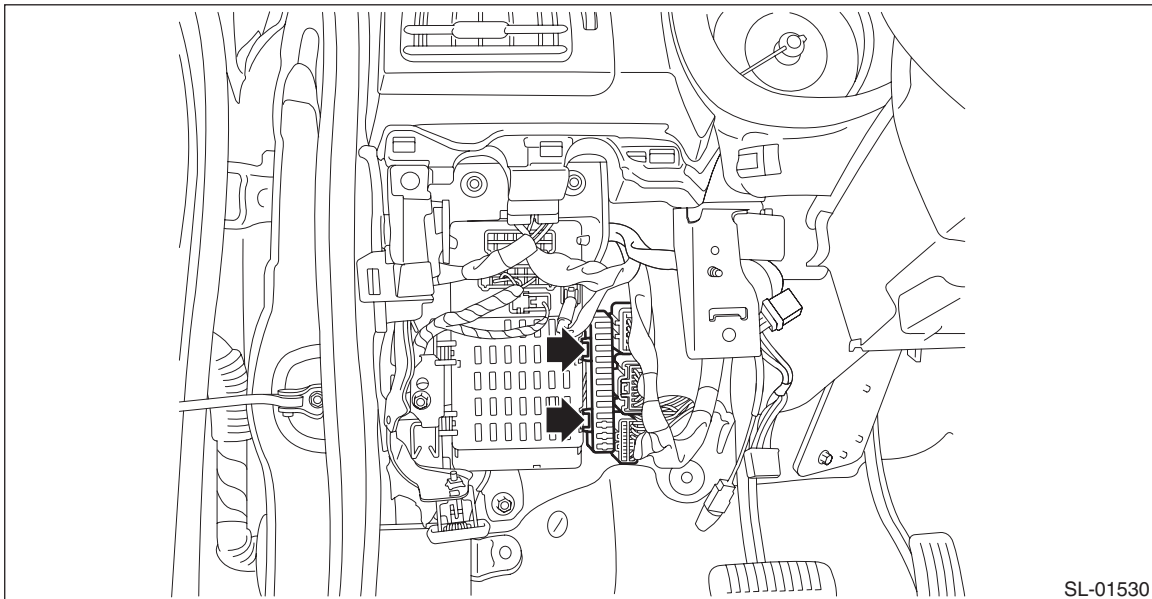
NOTE:

For models other than STI model, disconnect the ground terminal from battery sensor.

2) Remove the cover assembly - instrument panel LWR driver. <Ref. to EI-61, REMOVAL, Instrument Panel Lower Cover.>

3) Remove the knee airbag module. <Ref. to AB-35, REMOVAL, Knee Airbag Module.>

4) Release the lock and remove the fuse holder.

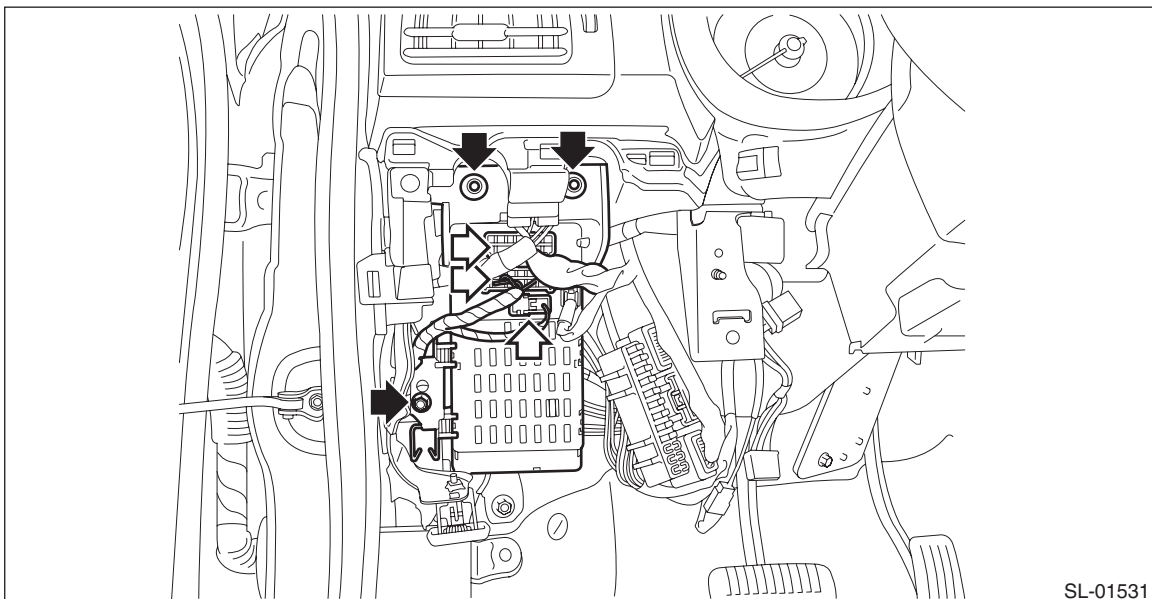


SL-01530

5) Remove the relay & fuse box.

(1) Disconnect the connector.

(2) Remove the bolts and nuts, and remove the relay & fuse box.



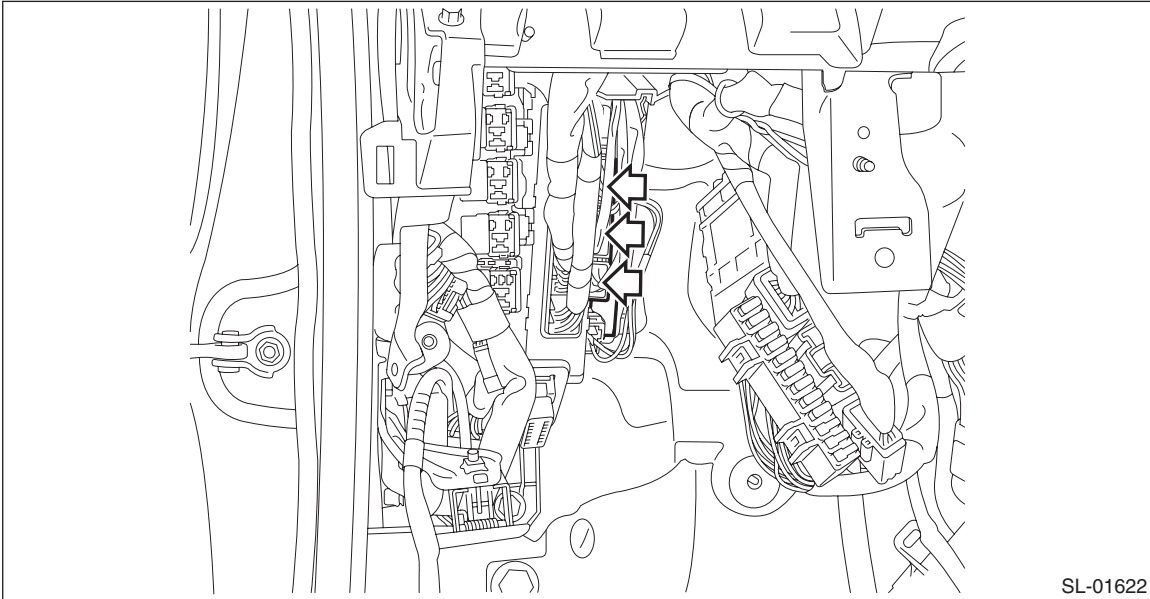
SL-01531

6) Remove the keyless access CM.

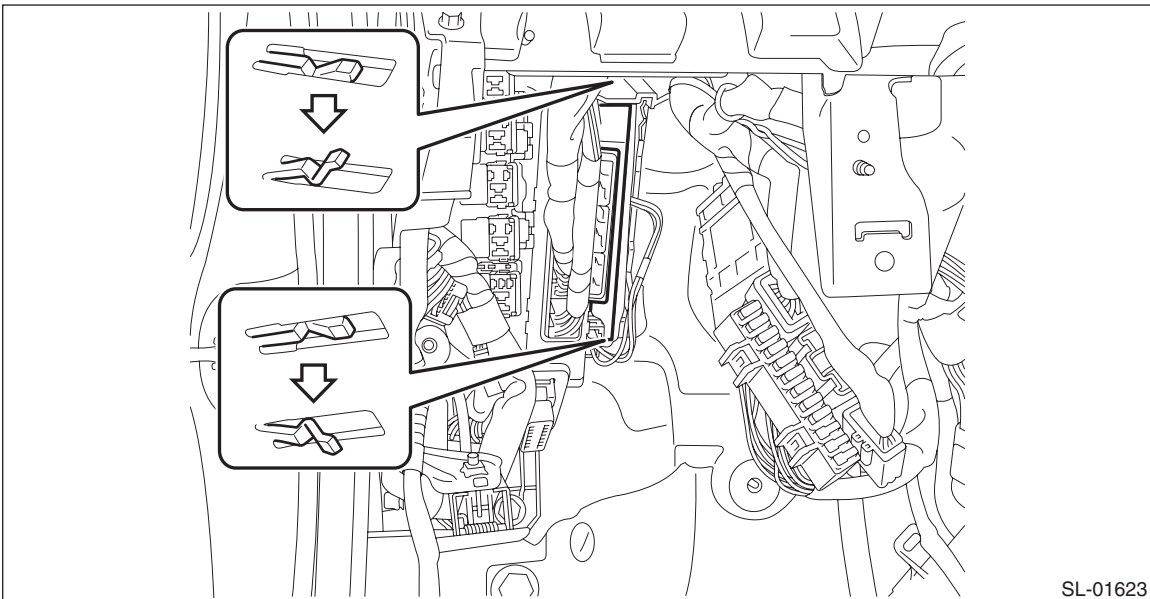
CAUTION:

Be careful to keep water and other foreign materials away from body integrated unit.

(1) Disconnect the connector.



(2) Release the claws and pull out the keyless access CM.



Keyless Access CM

SECURITY AND LOCKS

B: INSTALLATION

CAUTION:

- Registration of the immobilizer is necessary when a immobilizer-related control module has been replaced. For detailed operation procedure, refer to the “REGISTRATION MANUAL FOR IMMOBILIZER”.
- Before handling the airbag module, refer to “CAUTION” of “General Description” in “AIRBAG SYSTEM”. <Ref. to AB-9, CAUTION, General Description.>

NOTE:

Make sure that there are no differences from the contents of the current settings after installation. <Ref. to BC(diag)-15, LIST, Read Current Data.>

- 1) Install the keyless access CM.
- 2) Install the relay & fuse box and fuse holder.

Tightening torque:

Relay & fuse box: 7.5 N·m (0.8 kgf-m, 5.5 ft-lb)

- 3) Install the cover assembly - instrument panel LWR driver and the knee airbag module.
- 4) Connect the battery ground terminal. <Ref. to NT-5, BATTERY, NOTE, Note.>

NOTE:

For models other than STI model, connect the ground terminal to battery sensor.